

R-12V-400A Relay



Elife Power Relays 400A Series are designed specially for use in **battery applications** and to operate in a **vibration environment**.

The main **key features** of our power relays include:

- High Capacity and Conduction Efficiency.
- Smart Management of the Magnetizing Coil Power Supply.
- Designed for Battery System.
- **Vibration-absorbing inner lining that protects the case.**
- It can be supplied with a low voltage.
- Capable for case temperature up to +70 °C.
- Very compact size 104x53x60 mm.

Smart Management of the Magnetizing Coil Power Supply

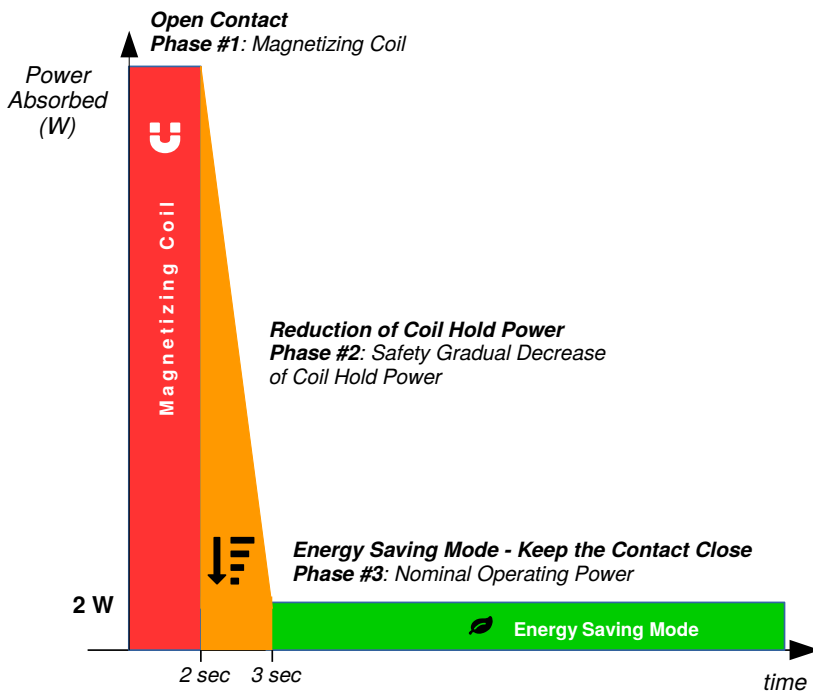


Figure 1: After the first 2 seconds, the power absorbed decrease gradually until reaching the Operating Nominal Power (less than 2 W).

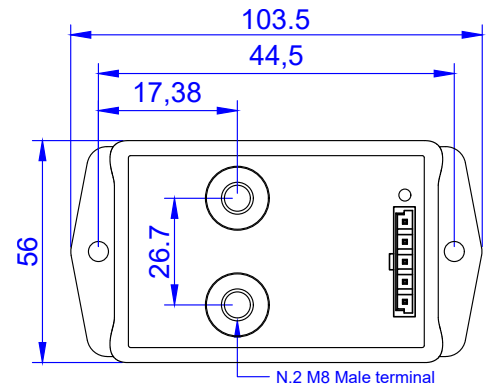
Elife Power Relays 400A Series are available in four configurations:

	NORMAL	PLC + FEEDBACK
Commercial Name:	R-12V-400A	R-12V-400A-FB
State of the Relay Contacts:		<input checked="" type="checkbox"/>
It can be driven by a PLC:		<input checked="" type="checkbox"/>

Table 1: Description of R-12V-400A Relay.

	VALUE
Supply Input Voltage:	12V
Max. Switching Current:	400 A
Nominal Operating Power*:	less than 2 W
Operate Time (at 20 °C):	Max. 25 ms
Release Time (at 20 °C):	Max. 15 ms
Max. Admissible Input Voltage:	13.2 V
Operating Temperature Range:	From -50 to 70 °C

* The Nominal Operating Power refers to the power absorbed after 3 secs to hold the Relay contact close.



Connector Legend:

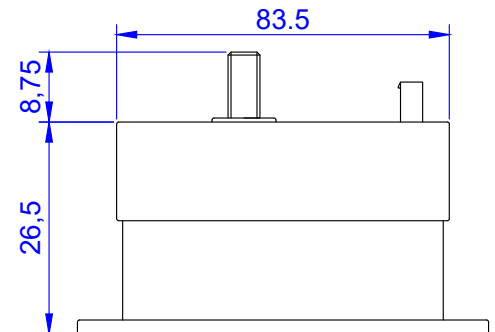
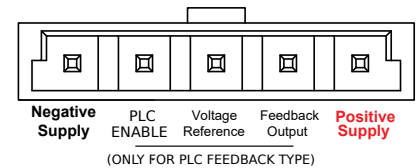


Figure 2: The drawing - size in mm - and the wiring diagram of Elife Relay 400A Series.